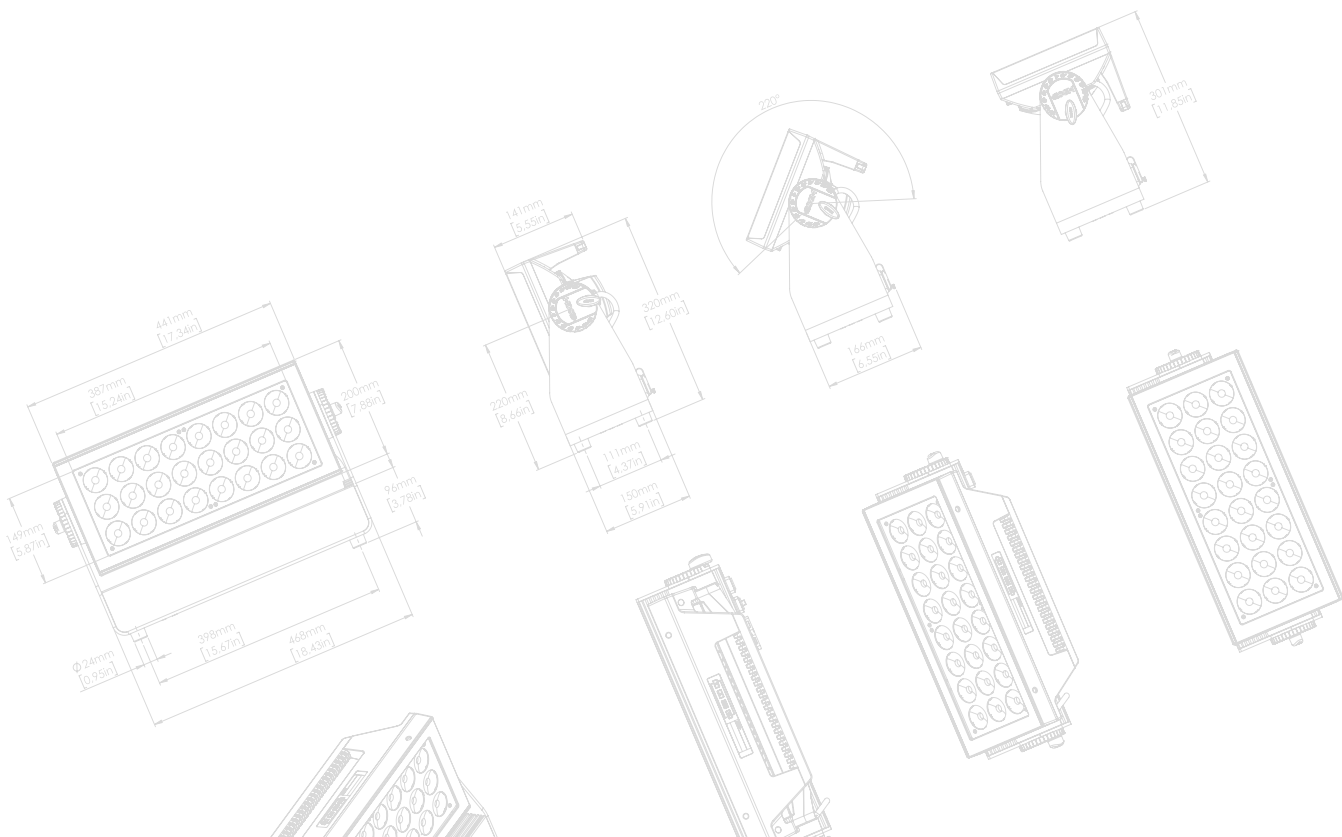


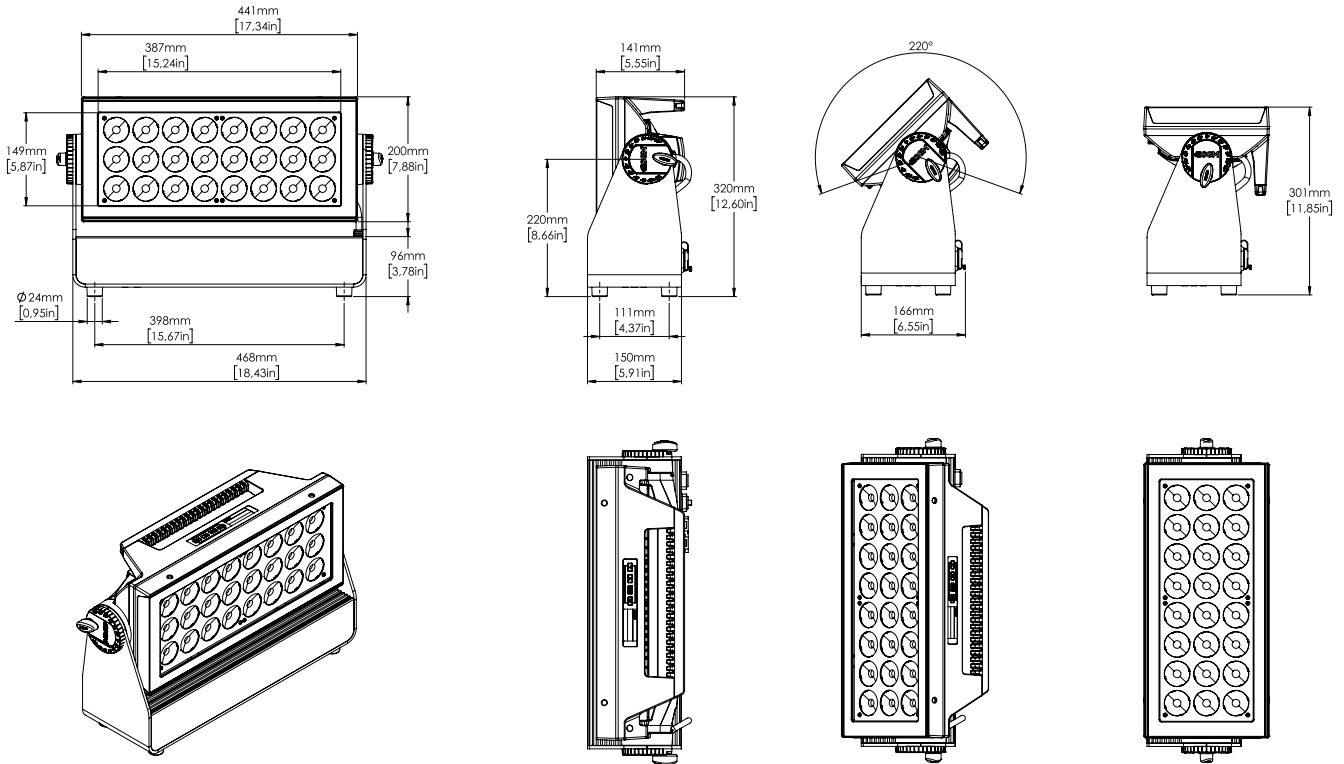
USER MANUAL



P-6



P-6 Dimensions



All dimensions in millimeters and inches. Drawing not to scale.

This manual covers installation, use, and maintenance of the SGM P-6.
A digital version is available at www.sgmlight.com, or upon request via support@sgmlight.com.

P-6 USER MANUAL REV. A

© 2018 SGM™. The information in this document is subject to change without notice. SGM and all affiliated companies disclaim liability for any injury, damage, direct or indirect loss, consequential or economic loss, or any other loss occasioned by the use of, inability to use, or reliance on the information contained in this manual. The SGM logo, the SGM name, and all other trademarks in this document pertaining to SGM services or SGM products owned or licensed by SGM, its affiliates and subsidiaries.

English edition

Contents

Safety information	4
Overview	5
Preparing for installation	6
Installing / rigging the P-6	6
Tilt Lock	7
Connecting AC power	7
Configuring the device	8
Connecting to a DMX control device	8
Configuring the device for DMX control	9
Using standalone operation	10
Setting a static color manually	11
Fixture properties	11
Control menu	12
RDM	13
Troubleshooting	13
Accessories	14
Maintenance	15
Fixtures and accessories	16
Support hotline	16
Approvals and certifications	16
User Notes	17

Safety information



WARNING!

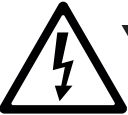
Read the safety precautions in this section before installing, powering, or operating this product.



SGM luminaries are intended for professional use only. They are not suitable for household use.

Les luminaires SGM sont impropre à l'usage domestique. Uniquement à usage professionnel.

Review the following safety precautions carefully before installing or operating the device.



DANGER! *Risk of electric shock. Do not open the device.*

- Do not open the device; there are no user-serviceable parts inside.
- Ensure that power is cut off when wiring the device to the AC mains supply.
- Ensure that the device is electrically connected to earth (ground).
- Do not apply power if the device or mains cable is in any way damaged.
- Do not immerse the fixture in water or liquid.



WARNING! *Take measures to prevent burns and fire.*

- Install in a location that prevents accidental contact with the device.
- Install only in a well-ventilated space.
- Install at least 0.3 m (12 in.) away from objects to be illuminated.
- Install only in accordance with applicable building codes.
- Ensure a minimum clearance of 0.3 m (12 in.) around the cooling fans.
- Do not paint, cover, or modify the device, and do not filter or mask the light.
- Keep all flammable materials well away from the device.
- Allow the device to cool for 15 minutes after operation before touching it

CAUTION: Exterior surface temperature after 5 min. operation = 49 °C (120 °F). Steady state = 59 °C (138 °F).



WARNING! *Take measures to prevent personal injury.*

- Do not look directly at the light source from close range.
- Take precautions when working at height to prevent injury due to falls.
- For Permanent Outdoor Installations (POI), ensure that the fixture is securely fastened to a load-bearing surface with suitable corrosion-resistant hardware.
- For a temporary installation with clamps, ensure that the quarter-turn fasteners are turned fully and secured with a suitable safety cable.
- For elevated installations, secure the fixture with suitable safety cables, and always comply with relevant load dimensioning, safety standards, and requirements.
- The standard safety wire cable must be approved for a safe working load (SWL) of 10 times the weight of the fixture, and it must have a minimum gauge of 4 mm.

Overview

The P-6 is an RGBW LED luminaire with high output, designed for multiple applications, including applications where wireless operation is essential.

P-6 features:

- Powerful all-in-one 475 W light fixture with 6 individually controllable segments, weighing around 12 kg.
- A wash light, a strobe light, a flood light, a pixel light, and a blinder with a non-fading continuous output.
- IP66-rating enable operation in all kinds of environmental settings and in temperatures from -40C to 50C.
- Fully adjustable CTC from 2,000K to 10,000K.
- Built-in wireless DMX and preset-able standalone programs.
- Fully RDM implemented.
- Different beam angles available via magnetic easy-fit holographic filter frames
- Integrated handle eases the transport, rigging, and positioning of the luminaire.
- Rubber feet meant for delicate surfaces, and prevents fixture from sliding.

Parts identification and terminology

A: Rubber feet

B: Power in and out

C: GORE-TEX membrane

D: DMX in and out

E: Handle

F: OLED Display panel

G: Barndoors attachment points (x2)

H: Safety wire attachment point

I: Holes for omega bracket (x6)

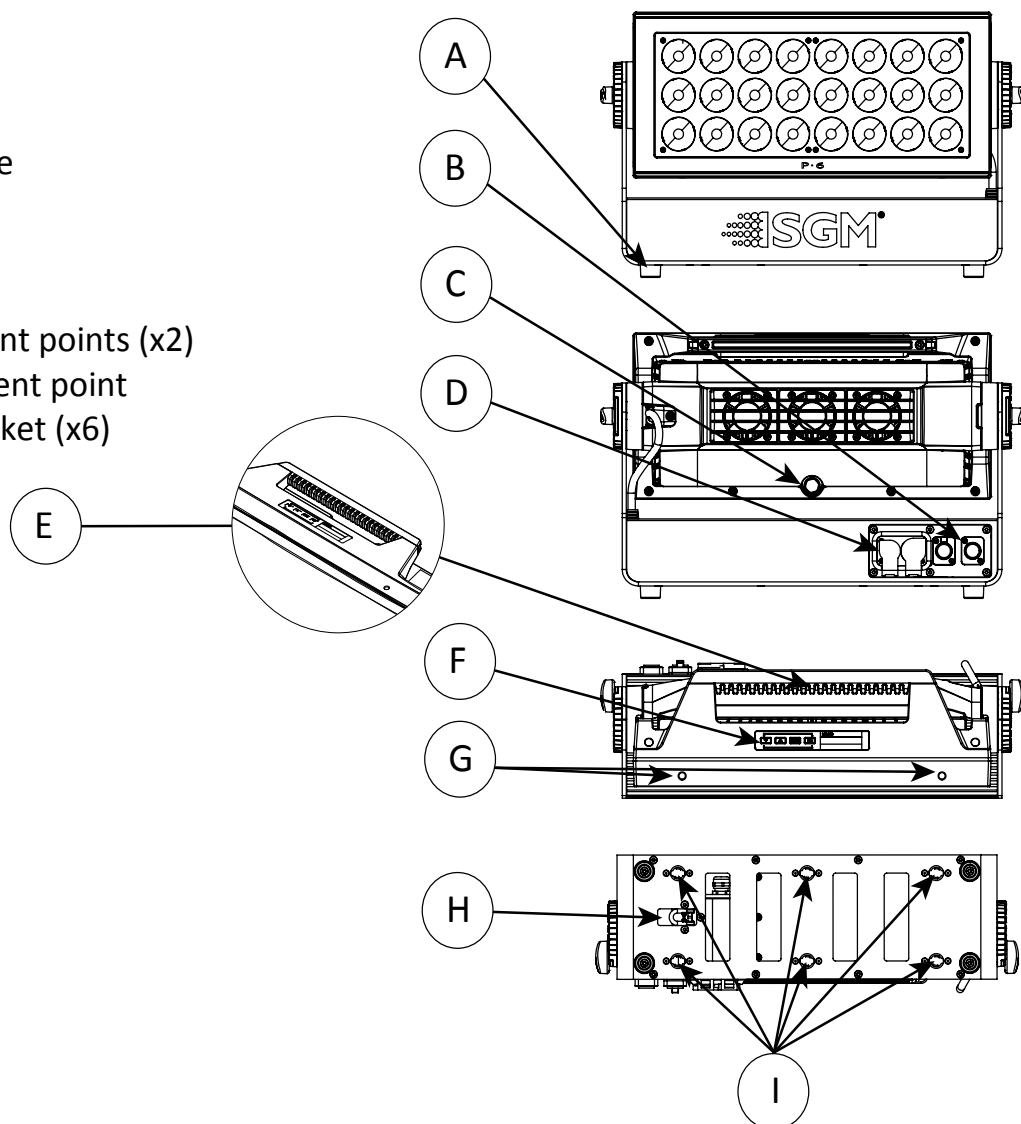


Figure 1: Parts identification and terminology

Preparing for installation

Unpacking

Unpack the device and inspect it to ensure that it has not been damaged during transport.

The P-6 is shipped with:

- One Neutrik TRUE1 power input connector, 2 m (78 in.)
- Two Omega brackets with 1/4-turn fasteners

Location / application

The fixture is IP66-rated and designed for both indoor and outdoor events. This means that it is protected from:

- Dust, to the degree that dust cannot enter the device in sufficient quantities as to interfere with its operation.
- Pressure jets of water from any direction.

When selecting a location for the device, ensure that:

- It is situated away from public thoroughfares and protected from contact with people.
- It is not immersed in water or exposed to high-pressure water jets.
- It has adequate ventilation.

When using the fixture for outdoor events, ensure that:

- **For wireless DMX or standalone operation**, the protective cover is securely mounted in any unused DMX connectors.
 - **For cabled DMX operation**, the DMX out of the last fixture is terminated with a 120 Ohm resistor between pin 2 and 3 (according to the RS485 standard), and the DMX out is properly sealed, in accordance with the IP65 requirements.
- A maximum of 32 fixtures can be connected to the same DMX link.

Transportation

Always use the supplied packaging or suitable flight case for transportation and storage. Never carry the fixture by connected cables or wires; use the handle.

Installing / rigging the P-6

The P-6 may be installed in any orientation and it might take up to 3 omega brackets per fixture. Always use omega brackets to rig the fixture and lock the bracket with the 1/4-turn fasteners.

Please note:

The 1/4-turn fasteners are only locked when turned fully clockwise.

Rigging process

Start the rigging process by blocking the lower working area, and make sure the work is performed from a stable platform.

1. Check that the clamp is undamaged and can bear at least 10 times the weight of the fixture. Check that the structure can bear at least 10 times the weight of all installed fixtures, lamps, cables etc.
2. Bolt the clamp securely to the omega bracket with a M12/ 1/2" bolt (min. grade 8.8) and a lock nut.
3. Align the omega bracket with the two 1/4 turns in the base. Insert the fasteners into the base bracket, and turn both levers a full 1/4-turn clockwise to lock.
4. Working from a stable platform, hang the fixture on a truss or other structure. Tighten the clamp.
5. Install a safety wire that can bear at least 10 times the weight of the fixture. The safety wire attachment point is designed to fit a carabiner.
6. Verify that there are no combustible materials, cables, or surfaces to be illuminated within 0.3 m (12 in.) of the fixture.
7. Check that there is no risk of the head/yoke colliding with other fixtures or structures.

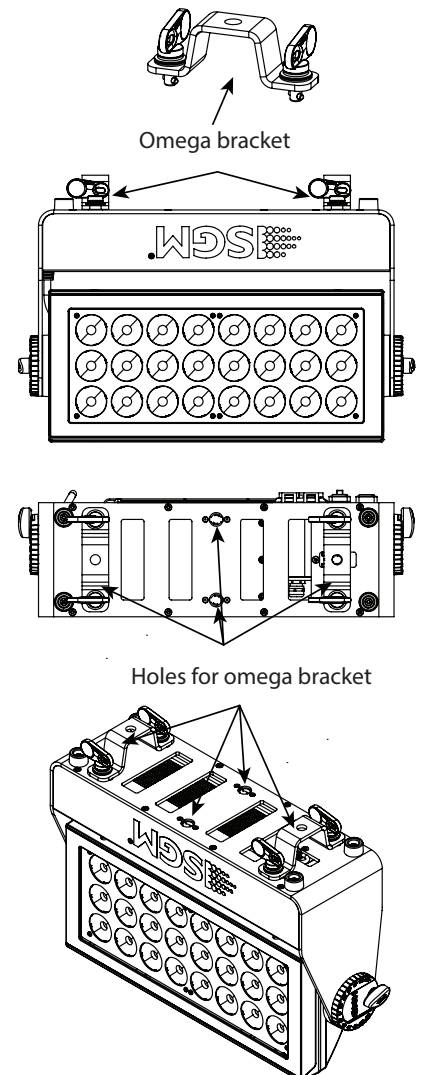


Figure 2: Base with omega bracket



WARNING! Always secure an elevated P-6 with a safety wire

Fasten a safety wire (not shown) between the load-bearing support structure and the safety wire attachment point on the device.

The safety cable (not included in the package) must:

- Bear at least 10 times the weight of the device (SWL).
- Have a minimum gauge of 4 mm.
- Have a maximum length (free fall) = 30 cm (12 in.).

CAUTION!!

- Always use a safety wire.
- Make sure the slack of the safety wire is at a minimum.
- Never use the handle for secondary attachment.



Figure 3: Safety wire attachment point

Tilt Lock

The P-6 can be tilted from 0° - 120°. To adjust the tilt angle, loosen both tilt wheels, one on each side, adjust the tilt to the angle requested, and re-tighten the wheels. There is no need for any special tools to tighten the wheels. If you cannot feel resistance when tilting the fixture, you might not have loosened the wheels enough.

Scale function

The P-6 comes with a scale function, which eases the adjustment to the tilt desired. The pitch indicator in the wheel shows the current angle of inclination.

CAUTION!!

If the fixture has been operating, always allow it to cool for 15 minutes before handling. Exterior surface temperature after 5 min. operation = 49 °C (120 °F). Steady state = 59 °C (138 °F).

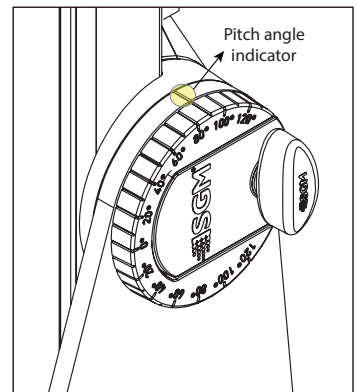


Figure 4: Tilt lock

Connecting AC power

The P-6 can operate on any 100–277 V, 50/60 Hz AC mains power supply.

Connect the fixture to AC power using the supplied cable with Neutrik powerCON TRUE1 NAC3FX-W (supplied with the fixture) or similar with a maximum of 20 A, to ensure the correct ingress protection (IP-rating).

For a temporary outdoor installation, the mains cable must be fitted with a grounded connector intended for exterior use. The fixture must be grounded/earthed and able to be isolated from AC power. The AC power supply must incorporate a fuse or circuit breaker for fault protection.

Wire	Color	Symbol	Conductor
	Black	L	live
	White	N	neutral
	green/yellow	⊥ or ⊕	ground (earth)

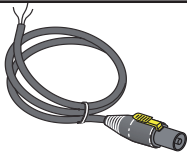


Figure 5: Connecting AC Power

CAUTION!!

- Do not open the fixture to replace the supplied power cable.**
- Do not connect the fixture to an electrical dimmer system, as doing so may cause damage.**

After connecting the P-6 to power, run the on-board test by selecting TEST → AUTOMATED TEST in the menu to ensure that the fixture and each LED are functioning correctly. Please see “Control Menu” on page 13.

PLEASE NOTE:

The protective caps must be securely mounted on any unused DMX connectors in order to maintain the IP66-rating.

Configuring the device

The P-6 can be set up by using the control panel and OLED multi-line display at the top of the fixture's head or through RDM.

The OLED display is the human interface of the fixture, as it displays the current status and menu of the fixture. The display panel can be used to configure individual fixture settings, check the fixture's wireless status, confirm the firmware version, and read error messages.

The complete list of the menu and all commands available are listed in "Control Menu" on page 12.

Before turning on the P-6, make sure the Neutrik TRUE1 power in cable is properly connected. To turn off the device, simply disconnect the Neutrik TRUE1 power in cable. When the fixture is powered on, it boots and resets before displaying the currently selected operating mode and the DMX start address. Navigate through the menus and options using the arrow buttons, and select items using the ENTER button.

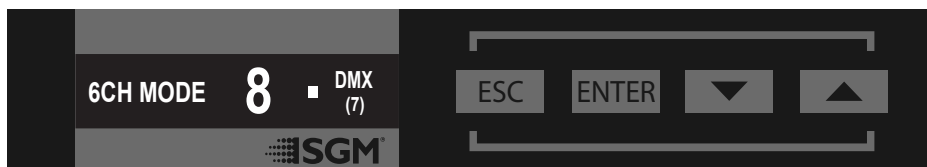


Figure 6: OLED display and control panel

Using the display panel

- Press the 'ENTER' button to access the menu or make a selection.
- Press the arrow buttons to scroll up and down in the menus.
- Press the 'ESC' button to take a step back in the menu.

Display

- A - Operational mode (quick color, stand-alone, or DMX mode).
- B - DMX address.
- C - External data indicator (if DMX control is active).
- D - External data protocol (CRMTM or DMX).
- E - Next available DMX address depending on the fixtures DMX footprint.

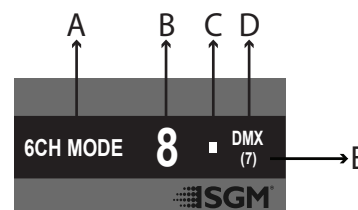


Figure 7: Display view

Please note: by default, the fixture is set to be controlled in DMX mode.

Error Indicator

If any errors are detected, the message 'ERR' will be flashing in the display for easy detection. To read the error message, select ENTER → INFO → ERRORS in the menu.

Shortcuts

- ESC + ENTER: Press ENTER to confirm factory defaults.
- ESC + UP: Display OFF.
- ESC + DOWN: Set up new DMX address; keep ESC and press ENTER to confirm.
- UP + DOWN arrows simultaneously = flip the display upside-down.

Connecting to a DMX control device

The P-6 is controllable using a DMX control device, and it can be connected using either a DMX cable or via the fixture's built-in LumenRadio CRMX wireless receiver system.

If using a cabled DMX system, connect the DMX IN cable to the input connector and DMX OUT cable to the output. Both connectors are placed on the rear of the fixture's base (chassis mounted male 5-pin XLR connectors).

For outdoor events, use at least IP65-rated XLR connectors. If using a wireless DMX system, remember to use the protective caps in any unused DMX connector in order to maintain the fixture's IP-rating.

Connecting a wireless transmitter

The P-6 is designed to look for wireless transmitters in 'connect' state, when this option is not yet enabled.

To connect the P-6 to a wireless transmitter:

- Log off the currently paired wireless transmitter - see below "Disconnecting a wireless transmitter".
- Press the connect button on the wireless transmitter.
- Confirm that the fixture has paired with the wireless transmitter.

Disconnecting a wireless transmitter

To disconnect the fixture from the currently paired wireless transmitter, go to SETTINGS → WIRELESS DMX → LOG OFF.

Signal priority

The P-6 can be paired to an active wireless transmitter as soon as it is connected to a cabled DMX. The fixture will prioritize cabled DMX over wireless DMX.

The active input type is displayed under the wireless signal strength indicator. The signal strength can also be checked via RDM data by using an external RDM device (e.g. the SGM A-4).

Configuring the device for DMX control

About DMX

The P-6 can be controlled using signals sent by a DMX controller on a number of DMX channels. DMX is the USITT DMX512-A standard, based on the RS-485 standard. The signal is sent as DMX data from a console or a controller, to the fixture(s) via a shielded twisted pair cable designed for RS-485 devices.

The cables are daisy chained between the fixtures, and up to 32 fixtures can be connected on the same DMX link. Up to 300 meters (1000ft.) of cable is achievable with high quality DMX cables. All DMX links must be terminated in the last fixture by connecting a DMX termination plug to the last fixture's 5 pin DMX out connector.

PLEASE NOTE:

- **Standard microphone cable is not suitable for transmitting DMX.**
- **Up to 32 fixtures can be linked to the same DMX chain. Additional fixtures will overload the link.**
- **The last fixture must always be fitted with a DMX termination plug to the fixture's DMX out.**

Set/edit DMX address

The DMX address is shown on the OLED display in the control panel.

To change the address setting, press the up and down arrows. When the desired address is displayed, press ENTER to save the setting.

For your convenience, the next available DMX address is displayed to the right.

See instructions on how to use the display panel in "Configuring the device" on page 8.

The P-6 also offers the option to set the DMX address through RDM.

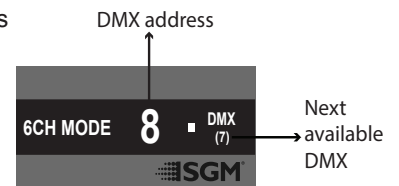


Figure 8: Set/edit DMX address

DMX modes

The P-6 operates in different modes. All DMX charts are available at www.sgmlight.com under the respective products, or upon request via support@sgmlight.com.

DMX Start address

The P-6 can be operated in different DMX modes. For any of the modes, the first channel used to receive data from a DMX control device is known as the DMX start address.

For independent control, each P-6 must have a DMX start address set. For example, if the first P-6 is set to 6ch CTC DMX mode with a start DMX address of 113, the following P-6 in the DMX chain should be set to a DMX address of 119. As the first fixture uses the prior 6 DMX channels, including channel 113, the next available channel is 119 ($113+6=119 \gg 119$).

If two or more fixtures of the same type have the same DMX address, they will behave identically. Incorrect settings will result in unpredictable responses from the lighting controller. Address sharing can be useful for diagnostic purposes and symmetrical control.

NOTE!!

When using power link connection, make sure the maximum power capacity is not exceeded in order to avoid short-circuit and damaging of the fixture.

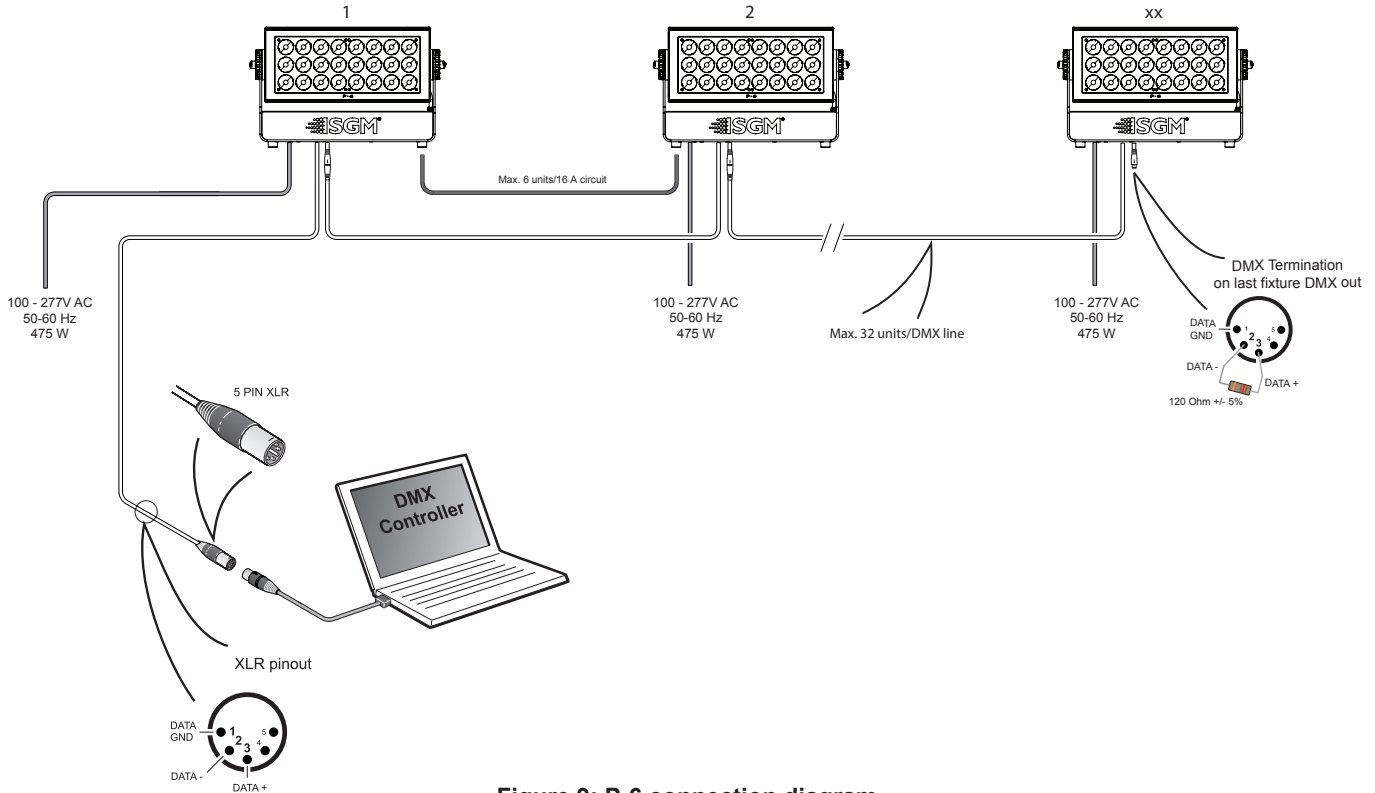


Figure 9: P-6 connection diagram

Using standalone operation

Standalone operation is not running when the fixture is connected to a control device, but it is pre-programmed with a series of up to 24 scenes, playing continuously in a loop. Up to three stand-alone programs can be defined and run from the menus, and one of the programs can be set to run by default whenever the fixture is powered on.

Each of the three available stand-alone programs contains 24 user-definable scenes with its own RGB and shutter settings.

Each scene has a definable fade-in time for the transition from one color to the next, and a wait (static) time of up to 120 minutes and 59 seconds.

To define a stand-alone program, press ENTER → MANUAL → EDITOR.

The standalone mode of the fixture's startup is enabled by pressing: ENTER → SETTINGS → STARTUP MODE → SELECT STARTUP MODE → STANDALONE.

To select the fixture's startup program, press:

ENTER → SETTINGS → STARTUP MODE → STARTUP PROGRAM.

The chosen program will run its length cyclically whenever the fixture is powered on.

To run an internal program, go to:

ENTER → MANUAL → RUN PROGRAM.

To stop an active internal program, go to:

ENTER → MANUAL → STOP PROGRAM.

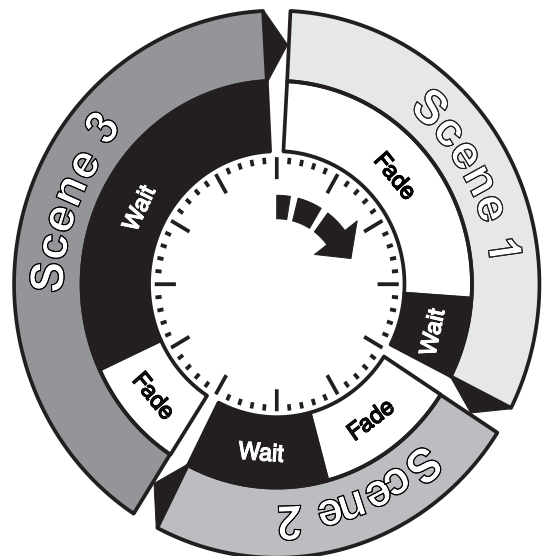


Figure 10: Standalone operation

Setting a static color manually

The P-6 can be configured to display a predefined and static color.

To set up a static color, select ENTER → MANUAL → QUICK COLOR.

Note that once the MANUAL → QUICK COLOR settings are changed, the fixture will, by default, be set to automatically start in quick color mode whenever it is powered on. This can be reset through the menu SETTINGS → STARTUP MODE → SELECT STARTUP MODE.

The current quick color program can always be stopped going to:
ENTER → MANUAL → STOP PROGRAM

See “Control menu” on page 13 for detailed information.

Fixture properties

Factory default

When restoring factory defaults in the P-6, the following settings will be set:

- DMX address = 1
- DMX mode = Default mode (6 channel)
- Startup mode = DMX
- Display saver = Off
- Flip screen = Off
- RDM device label set to = Fixture type name
- Internal program reset

Effects

The P-6 is a luminaire with 24 high-power RGBW 24W LEDs, divided in 6 individually controllable segments, which generates wide-ranging color effects and pixel-mapping combinations for creative lighting designs.

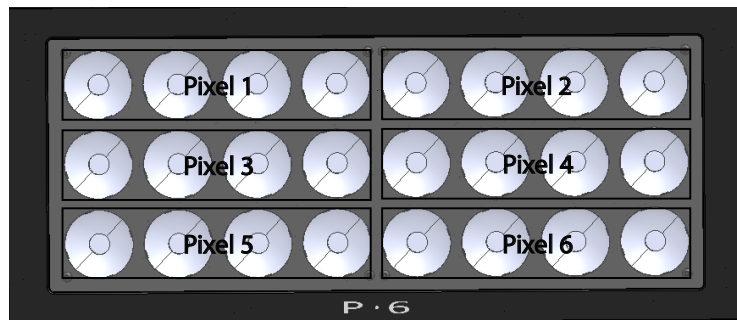


Figure 11: P-6 Pixel segments

Individual fixture settings

Flipping the OLED display

If the fixture is installed hanging upside down, it might be useful to flip the display so that it is easier to read.

To flip the display, press ENTER and select SETTINGS → FLIP DISPLAY, or press the up and down buttons on the control panel at the same time.

Setting the OLED display saver

By default the OLED display dims down after a short period when the control panel is not in use. The display can also be set to turn off completely, ideal when a pitch-black environment is required. Pressing any key will always turn on the display or restore it to normal brightness.

To configure the display settings, press ENTER → SETTINGS → DISPLAY SAVER.

NOTE: To avoid the risk of display deterioration caused by long term use, it is recommended to select the setting → DISPLAY OFF.

Setting the fan mode

For operating environments where low-noise is a requirement, or where the fixture will be operating in high temperatures, it is possible to adjust the default fan speed by going to SETTINGS → FAN MODE in the menu.

Control menu

Level 1	Level 2	Level 3	Function	
Mode	Select Mode	-	Select DMX mode	
Info	Product Type	-	Displays product type	
	Firmware Version	-	Displays installed firmware version	
	Serial Number	-	Displays SGM serial#	
	RDM ID	-	Displays RDM ID. (Unique RDM ID for identification)	
	DMX View	Up to 504 DMX addresses	Displays received DMX levels	
	Temperatures	Mainboard	-	Displays fixture temperatures
		LED Left		
		LED Right		
		Humidity head		
		Fan Left RPM		
		Fan Right RPM		
		Wireless signal		
		Wireless paired		
		Light pwn		
Humidity base				
Base				
Power on time	-	Displays fixture total power on time		
LED On Time	-	Displays LED total power on time. (R, G, B, W)		
Errors	-	Displays error codes		
Settings	Wireless DMX	Wireless log off	Sends Log off command to the CRMX System	
		Signal strength	Displays strength of the wireless connection	
	Startup Mode	Select Startup Mode	Default operating mode when fixture is powered on: 1. DMX (factory default) 2. Stand-alone 3. Quick Color	
		Startup Program	Stand-alone program 1, 2 or 3. Only used if the startup mode is set to "stand-alone". Program 1 is default.	
	Flip Display	Disable	Selects normal control panel display.	
		Enable	Flips control panel display.	
	Display Saver	Display Off	Turns off the OLED display when the control panel is not in use.	
		Display Dim	Dims the OLED display when the control panel is not in use.	
	Fan Mode	Standard	Adjust fan speed relative to internal fixture temperature.	
		Silent	Low fan speed for quiet operation.	
		Max Power	High fan speed for maximum cooling effect.	
Factory Default	-	Reset the fixture to factory default settings.		
Manual	Quick Color	Red	Static quick color - red mix (0-255). Sets fixture to quick color startup mode.	
		Green	Static quick color - green mix (0-255). Sets fixture to quick color startup mode.	
		Blue	Static quick color - blue mix (0-255). Sets fixture to quick color startup mode.	
	Run Program	1, 2 or 3	Runs internal sequence 1,2 or 3.	
	Stop Program	-	Stops current running internal sequence or Quick Color.	
	Editor	Program	Currently selected program (1, 2 or 3).	
		Scene	Currently selected scene (1-24).	
		Red	Red value in currently selected scene (0-255).	
		Green	Green value in currently selected scene (0-255).	
		Blue	Blue value in currently selected scene (0-255).	
		Shutter	Shutter setting in currently selected scene (0-255). (According to latest DMX chart)	
		Fade Time (Min.)	Fade-in (transition) time to current scene in min. (0-511).	
		Fade Time (Sec.)	Fade-in (transition) time to current scene in sec. (0-59).	
Wait Time (Min.)		Wait (static) time in current scene in min. (0-998).		
Wait Time (Sec.)	Wait (static) time in current scene in sec. (0-59).			
Test	Off	-	Stops test sequence execution.	
	Automated Test	-	Initiates a self-test sequence.	
	Display Test	-	Service use only.	

RDM

Supported RDM functions

The P-6 features support for various RDM functions.

RDM (Remote Device Management) is a protocol enhancement to USITT DMX512 that allows bi-directional communication between the fixtures and the controller over a standard DMX line. This protocol will allow configuration, status monitoring, and management.

You will need a RDM controller to get control over the supported parameters. See the tables below for supported RDM functions.

RDM functions

PID	Actions allowed	Name
0x0082	-	Device Label
0x0081	-	Manufacturer Label
0x00E0	-	DMX Personality
0x00E1	-	DMX Personality description
0x0200	-	Sensor Definition
0x0201	-	Sensor Value
0x0080	-	Device Model Description
0x0400	-	Device Hours

PID	Actions allowed	Name
0x0051	-	Parameter Description
0x0501	-	Display Level
0x0500	-	Display Invert
0x0090	-	Factory Defaults
0x1001	-	Reset Device
0x8060	GET	Serial Nr.
0x8625	GET / SET	FAN 0=AUTO 1=LOW 2=HIGH 3=FULL

Please note: The RDM controller communicates with the fixtures to show only the available options for each RDM function. The table is subject to change without notice.

Sensors

RDM enables various sensor readouts for remote device monitoring. See the table below for sensors and sensor types.

Please note: The RDM controller communicates with the fixtures to show only the available sensors for this fixture. The table is subject to change without notice.

Name	Sensor Type
Mainboard	Temperature
LED Left 1	Temperature
LED Left 2	Temperature
LED Left 3	Temperature
LED Right 1	Temperature
LED Right 2	Temperature
LED Right 3	Temperature

Name	Sensor Type
Humidity Head	Other
Wireless Signal Strength	Other
Wireless Paired	Other
Light PWM	Other
Humidity Base	Other
Base	Temperature

Troubleshooting

Problem	Potential cause(s)	Remedies
Fixture does not respond or appears to be completely dead.	No power to the fixture.	Confirm that the power is switched on, confirm that the cables are plugged in.
	Main fuse is blown.	Contact SGM support or certified SGM service partner.
Fixture suddenly turned off.	Power was turned off.	Check the power supply, switches and breakers.
Fixture suddenly stopped responding.	The wireless transmitter or connections, was disconnected/ tampered with.	Inspect the wireless transmitter and connections.
	DMX cables were disconnected.	Inspect DMX cables.
Fixture operates irregularly / abnormal.	DMX cable polarization is inverted (pin 2 + 3).	Install a phase-inverter or replace cables.
	DMX link is not terminated.	Install a XLR 120ohm DMX termination at the end of the DMX link.
	Corrupted DMX cable.	Replace or repair defective cables and/or connections.
	The fixture operates an internal program.	Go to MENU → MANUAL → STOP PROGRAM
	A corrupted fixture generates noise/disruptions on the DMX link.	Track and isolate the corrupted fixture.
Color is uneven.	The minimum values are out of calibration.	Contact your local SGM dealer or support@sgmlight.
	The SGM Calibration Data set has been lost.	Contact your local SGM dealer or support@sgmlight.

Accessories

The P-6 can be used with various accessories such as cables, barndoors, and filter frames.

To get to know all the available P-6 accessories, visit www.sgmlight.com or contact your local SGM dealer.

Barndoors

The P-6 features 4-way and 8-way barndoors. The barndoors are designed and intended to be mounted on the fixture without the use of any tools.

To install the barndoors:

1. Attach the lower plug-in pins to the bottom part of the P-6 front
2. Pull the two upper lock pins and fit the upper part of the barndoor in the P-6 head
3. Release the lock pins and check the lock pins are correctly in place

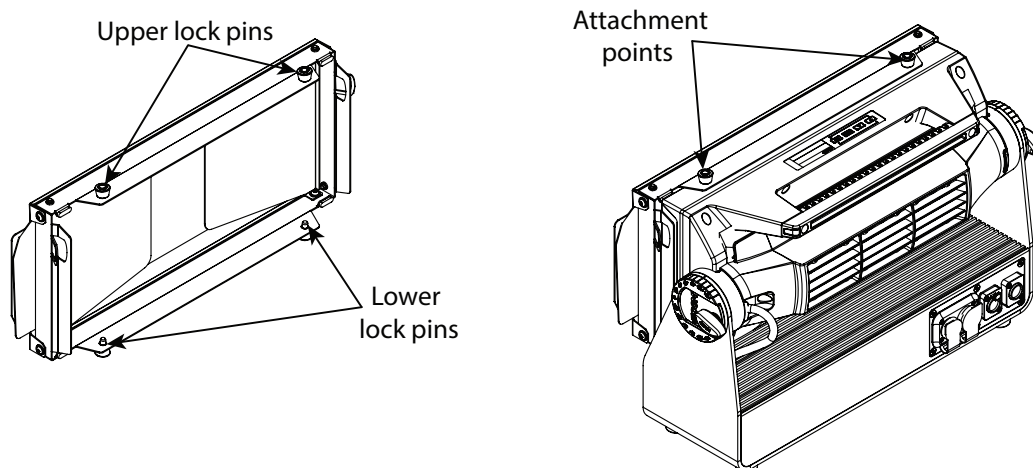


Figure 12: P-6 Barndoors

Filter frames

The P-6 features various optional, magnetic holographic filter frames:

- Medium angle (19°)
- Wide angle (45°)
- Elliptical wide angle horizontal (63°x12°)
- Elliptical wide angle vertical (12°x63°)
- Empty filter frame for custom filters

The filter frames are easily mounted due to their magnetic properties. To install them, it's only required to position the filter frame in front of the light, and it quickly snaps into place.

The frames are fitted with a safety wire to secure the frame to the handle of the P-6.

A filter frame can be mounted simultaneously with a barndoor.

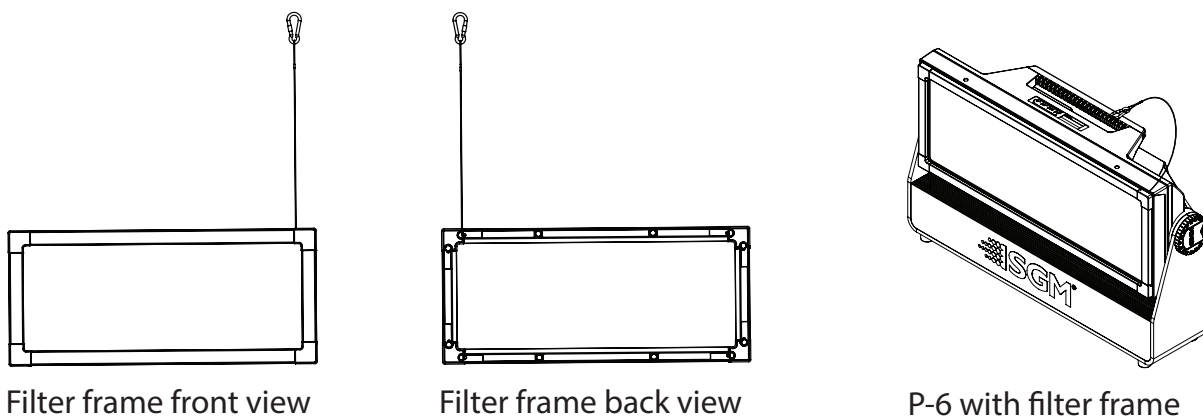


Figure 13: P-6 Filter frames

For further information and other possibilities visit www.sgmlight.com or contact your local SGM dealer.

Maintenance

Upgrading the firmware

The firmware installed in the fixture can be identified in two ways:

- When powering on the fixture, the display shows the current installed firmware version
- Going to the MENU → INFO → SOFTWARE VERSION

We recommend that the fixture's firmware is always up-to-date. The latest firmware version is available for download under the respective product at www.sgmlight.com.

To update your P-6 with the latest firmware use an SGM USB 5-Pin-XLR uploader cable (available from your nearest SGM dealer) and a Windows-based computer with the SGM Firmware Tool software installed (also available for download at www.sgmlight.com).

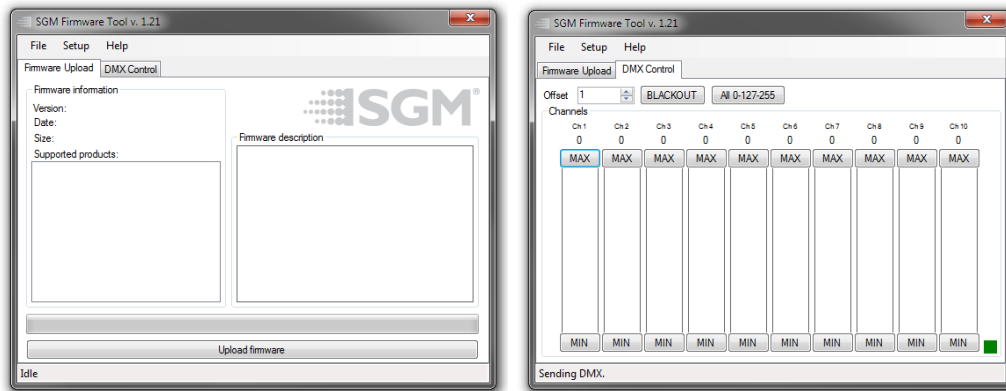


Figure 15: SGM Firmware tool

Additionally, the Firmware Tool software offers a simple DMX controller featuring 512 DMX channels for test purposes.

Cleaning

SGM luminaires with IP66-rating do not need any cleaning procedures inside the fixture. However, cleaning the front lens may be needed to achieve the maximum light output after exposure to dust, sand, or dirt. Exterior housing can also be cleaned to get a better look. To maintain adequate cooling, fans must be cleaned periodically.

Whenever necessary, clean the P-6 using a soft cloth dampened with a solution of water and a mild detergent. Do not use products that contain solvents, abrasives, or caustic agents for cleaning, as they can cause damage to both hardware, cables, and connectors.

The level of cleaning required will vary greatly depending on the operating environment and installation. Therefore, it is recommended to do frequent check-ups the first few weeks of operation to see how often cleaning is necessary.

Fixtures and accessories

The P-6 can be used with a variety of accessories.
Contact your local SGM dealer to get the latest pricing and news about available accessories.

Please note: the listed below are subject to change without notice.

Ordering information

P-6, Std, BL.....	P/N: 80031650
P-6, Std, WH.....	P/N: 80031651
P-6, Std, CU.....	P/N: 80031652

P-6 Accessories

2 m power cable with Neutrik TRUE1 power connector.....	P/N: 07860040
2 x Omega brackets, BL / WH.....	P/N: 83060602 / 83061206
SGM USB uploader cable.....	P/N: 83062011
Filter frame - Elliptical horz wide angle, BL - P-6 series.....	P/N: 83061168
Filter frame - Elliptical vert wide angle, BL - P-6 series.....	P/N: 83061169
Filter frame - Medium angle, BL - P-6 series.....	P/N: 83061170
Filter frame - Wide angle, BL - P-6 series.....	P/N: 83061171
Filter frame - without filter, BL - P-6 series.....	P/N: 83061172
Barndoor 4-way, P-6, BL.....	P/N: 83061173
Flightcase for 4 pcs of P-6 incl. accessories.....	P/N: 82051507

Support hotline

SGM offers 24/7 technical support hotline.
Worldwide: +45 3840 3840
US: +1 877 225-3882
support@sgmlight.com

Approvals and certifications

**Conforms to
Conforms to
Conforms to**

**2014/35/EU: Low Voltage Directive
2014/30/EU: EMC Directive
2011/65/EU: RoHS2 Directive**



The information in this document is subject to change without notice. For the latest information, see www.sgmlight.com.



SGM Light A/S
Sommervej 23
8210 Aarhus V
Tel: +45 70 20 74 00
info@sgmlight.com
www.sgmlight.com